

# Case Study

The Victor Phillip Dahdaleh  
Heart and Lung Research Institute,  
Cambridge

Healthcare

Shape  
your vision

# World-Leading Research Environment

A joint venture between the University of Cambridge and Royal Papworth Hospital NHS Foundation Trust, the Victor Phillip Dahdaleh Heart and Lung Research Institute (HLRI) is a major facility accommodating Europe's largest concentration of heart and lung medicine scientists and clinicians. It draws together the NHS and academia to create a world-leading research environment and is a unique facility of its kind in the UK.

Hundreds of staff are now housed under one roof, tackling cardiovascular and respiratory diseases. The impressive complex is home to cutting-edge laboratories in genomics, population sciences and research into cellular mechanisms of disease and translational science. There's also a 10-bed Clinical Research Facility for patient studies of new treatments, and spaces for education and training/ seminar purposes.



**“A unique facility of its kind in the UK”**



The project was designed by R H Partnership Architects and built by Main Contractor SDC. The HLRI building is located next to Royal Papworth Hospital on the Cambridge Biomedical Campus, close to three hospital trusts and the departments and institutes that comprise the University's School of Clinical Medicine, in addition to major pharmaceutical companies.

Building: Victor Phillip Dahdaleh Heart and Lung Research Institute

Location: Salford Quays

Architect: R H Partnership Architects

Main Contractor: SDC

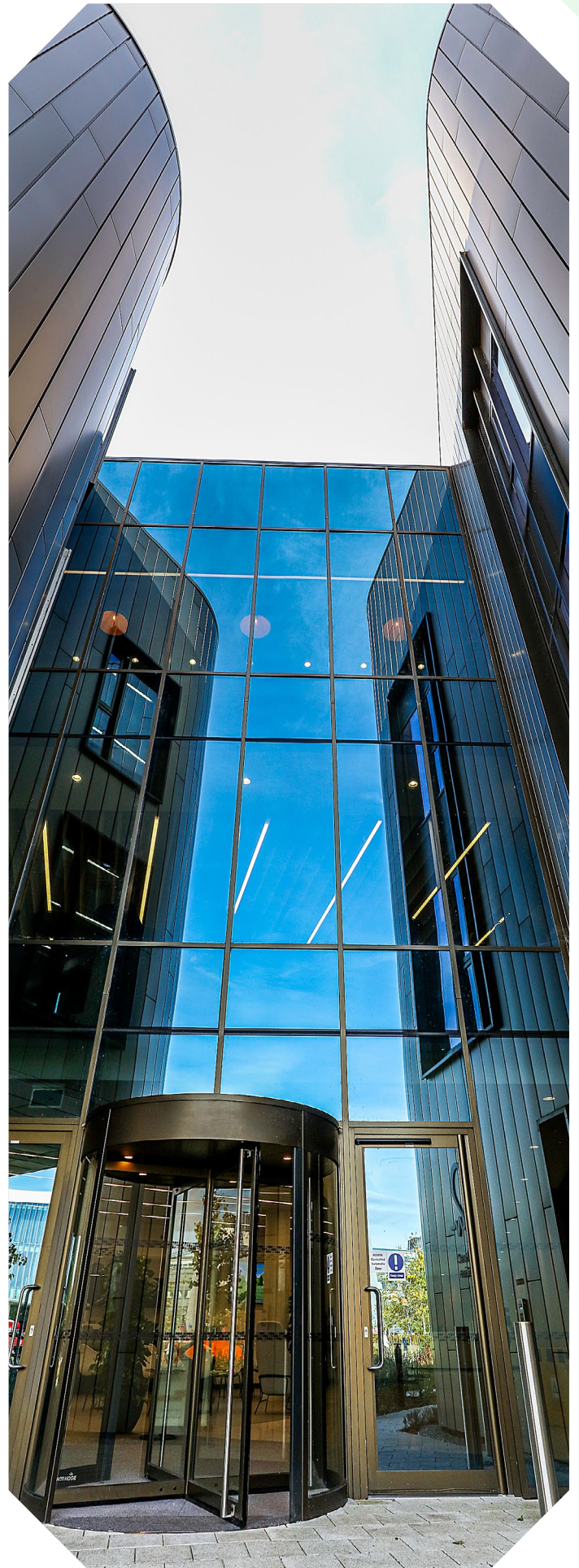
Installer: JPJ Installations Ltd

# Prestigious Appearance

Creating the largest Biotech cluster outside of the United States meant that the specification, already approved on previous projects, had to be met. Novastruct systems were selected for this important building by the University of Cambridge.

Installed by approved specialist subcontractor JPJ Installations Ltd, Novastruct's FSX 100 Zone Drained and FSX 100 Structurally Silicone Glazed (SSG) Curtain Wall systems, and WSX 720 Windows, feature on the main elevations. In high access areas, the DSX 190 TB Welded Door is used and on the ground floor.

The prestigious façade appearance is enhanced by the Novastruct curtain walling that was installed in a purpose-designed "punch through" configuration with the metal cladding, in combination with opaque lookalike glazed panels, decorated louvres and spandrel panels that were also included as part of the design. Two full height curtain wall elements linking the East and West blocks complete the building.



# Award Winner

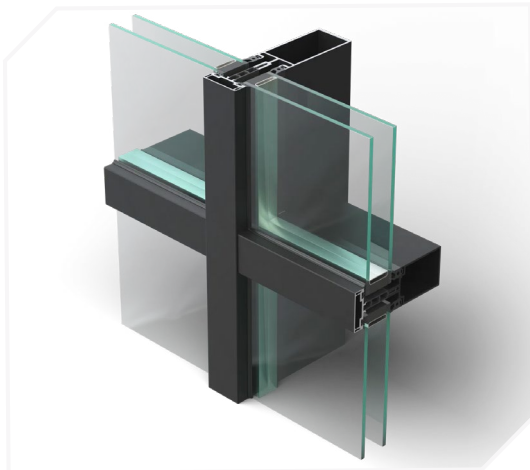
HLRI was officially opened by Her Royal Highness The Duchess of Gloucester and is now bringing together the NHS, academics, industry and charity to provide a leading-edge environment to help tackle cardiovascular and respiratory diseases that are among the biggest causes of death worldwide.

Intended to maximise interdisciplinary science, the Institute is now firmly embarked on its ambitious five-year goal of demonstrating proof-of-concept for a minimum of ten new drugs or diagnostic approaches to combat conditions such as heart attacks, pulmonary hypertension, lung cancers, cystic fibrosis and acute respiratory distress syndrome.

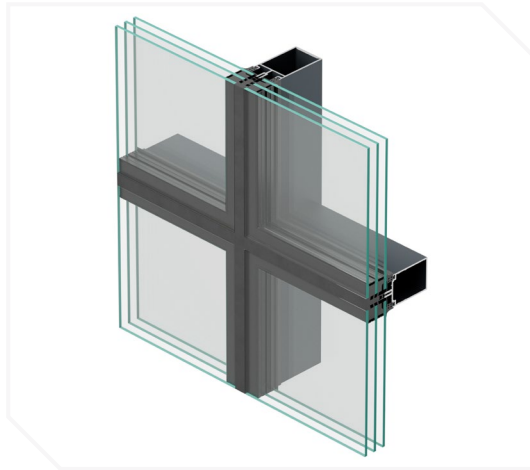
The building's attractive, distinctive and purposeful design has now won the Best New Building Over £2m category in the Greater Cambridge Design & Construction Awards.



# Product Specification Highlights



**FSX 100 50mm Curtain Wall System**



**FSX 100 SSG Curtain Wall System**



**WSX 720 Reflex Open Out  
Casement Window**



**DSX 190 TB Door**

**Novastruct UK**

Astmoor Road  
Astmoor Industrial Estate  
Runcorn, Cheshire  
WA7 1QQ  
United Kingdom

Tel.: + 44 (0)1928 502500  
Mail: Sales.UK@novastructeurope.com

[www.novastructeurope.co.uk](http://www.novastructeurope.co.uk)