

# Case Study

Toren Met Zeezicht  
(Tower With Sea View),  
Scheveningen, The Netherlands

Residential

Shape  
your vision

# Meeting All Internal Atmosphere and Weather Resistance Needs

The Zeezichttoren is one of the newest apartment complexes in Scheveningen.

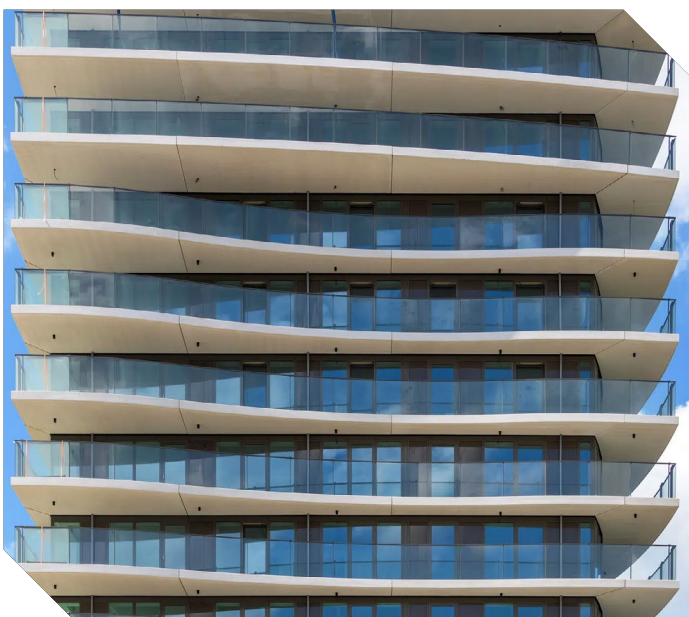
With its height of 40 metres, the curved lines of its design and its stunning location on the Scheveningen coast, the Zeezichttoren is an absolute eye-catcher.

To create the perfect atmosphere in every space, the architects selected the Novastruct RT72 Reflex window systems and FSX 100 curtain wall system.

This choice was made not only to establish the ideal indoor atmosphere but also to meet all requirements regarding weather resistance—taking into account factors such as wind pressure, rainfall, and the salty sea air.



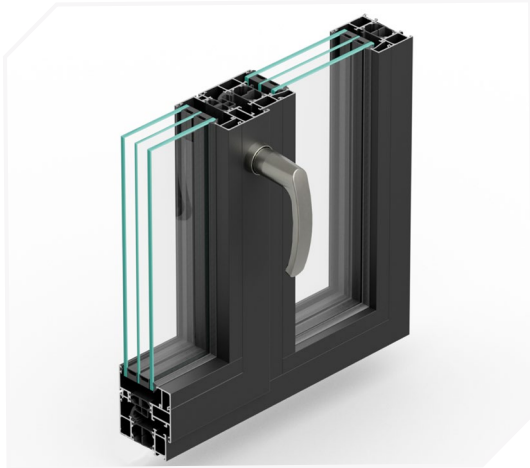
**“Ultimate comfort and magnificent panoramic views”**



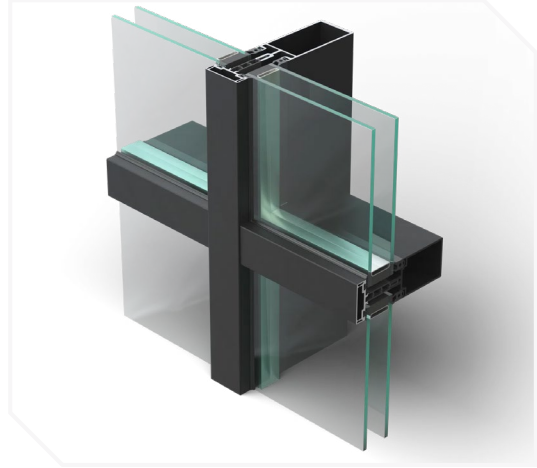
Residents can enjoy ultimate comfort and magnificent panoramic views over the beach of Scheveningen.

Building: Toren Met Zeezicht (Tower With Sea View)  
Location: Scheveningen, The Netherlands

# Product Specification Highlights



**RT 72 Reflex Aluminium  
Open-In Window**



**FSX 100 Curtain Wall System**

Project Photos: Dirk Verwoerd

**Novastruct UK**

Astmoor Road  
Astmoor Industrial Estate  
Runcorn, Cheshire  
WA7 1QQ  
United Kingdom

Tel.: + 44 (0)1928 502500  
Mail: [Sales.UK@novastructeurope.com](mailto:Sales.UK@novastructeurope.com)

[www.novastructeurope.co.uk](http://www.novastructeurope.co.uk)

**Shape  
your vision**

 **nova  
struct®**