

Case Study

The Havenlofts, Rotterdam

Residential



Shape
your vision

Sustainable Floating Homes

Living by the water is a concept familiar to us all, but living on the water is something you don't hear about quite as often.

In Rotterdam's Nassauhaven, a disused harbor basin has been transformed into a floating residential street featuring no fewer than 18 sustainable floating homes: the Havenlofts.

A truly unique new form of living!

The Havenlofts are fully fitted with Novastruct RT 72 Reflex window and door systems.



“A truly unique new form of living!”



Here, wood and aluminum come together in beautiful harmony.

Building: The Havenlofts

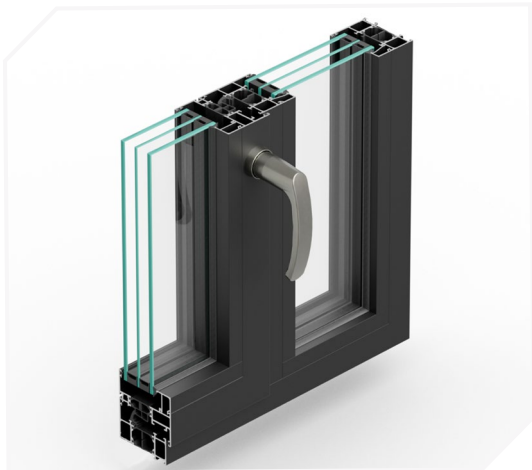
Location: Rotterdam

Architect: Public Domain Architecten

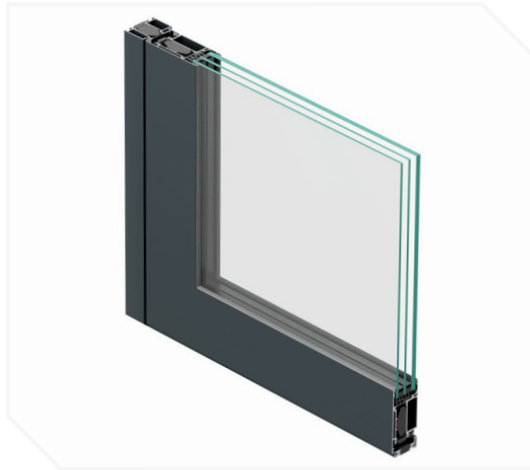
Main Contractor: BIK Bouw

Installer: Rollocate

Product Specification Highlights



RT 72 Reflex Aluminium
Open-In Window



RT 72 Reflex Aluminium Door

Novastruct UK

Astmoor Road
Astmoor Industrial Estate
Runcorn, Cheshire
WA7 1QQ
United Kingdom

Tel.: + 44 (0)1928 502500
Mail: Sales.UK@novastructeurope.com

www.novastructeurope.co.uk

Shape
your vision

 nova
struct®