

Case Study

Templeman Library,
University of Kent, Canterbury

Education

Shape
your vision

Competition-Winning Design

A multi award-winning redevelopment of a university library has used architectural glazing systems by Novastruct - FSX 100 curtain walling, as zone-drained capped and FSX 100 SSG mullion-drained SSG (Structurally Silicone Glazed) curtain walling.

The Novastruct systems were specified by Penoyre & Prasad architects for the redevelopment, involving an extension to and refurbishment of the existing building, of the Templeman Library at the heart of the University of Kent in Canterbury.

Designed by Lord Holford and constructed in three phases between 1965 and 1990, the new-look library was also constructed in three phases, with the 5,400m² new-build completed first, and second and third phases of 12,500m² refurbishment following.



“A vibrant contemporary building”



Penoyre & Prasad's competition-winning design for the project creates a vibrant contemporary building for study, interaction and exploration, bringing together a variety of study and support spaces, versatile collection and exhibition space, and a teaching suite.

Building: Templeman Library
Location: University of Kent, Canterbury
Architect: Penoyre & Prasad
Main Contractor: Kier Construction
Installer: Leay Ltd

From Brutalist to Beautiful

Penoyre & Prasad's approach was to reveal the original building's hidden strengths by removing sections of floor structure at each level in the central core of the building to let in daylight and create views across the building, and replacing the glazing with the Novastruct curtain walling to weave the new extension and the existing building into one volume. The treatment of the external facade inverts the balance of the original Brutalist architecture of the building to create a strong and holistic contemporary architectural identity.

The new north entrance was formed by glazing in a services/delivery undercroft with Novastruct curtain walling, while remodelling of the existing library included two entrance extensions, improved vertical circulation and re-glazing of the entire façade, again with Novastruct curtain walling.

Penoyre & Prasad partner Suzi Winstanley said: "We specified the Novastruct products for their value for money and ability to combine aesthetics and construction quality at the price band, also their ability to achieve the performance requirements. They are an extensive part of the façade system, helping to keep the building warm in winter and cool in summer, allowing natural ventilation to the library. A key reason for aluminium was value for money for the interior and robustness for the exterior.

"The Novastruct products helped us achieve U-values for the external envelope, allowing sufficient daylight into the building whilst dealing with glare. They create a contemporary building of glass and concrete, combining the existing building with a new extension and upgraded façade.

"The glazed elements allow much more daylight into the existing refurbished building and enable the concrete elements of the façade to hang lightly against the glass façade at the entrance to the existing building, inverting the weight of the brick buttresses of the existing building and creating a clear and welcoming entrance. At the junctions with new concrete, existing concrete and existing brickwork, the glazing is the glue that ties all these elements together."



Simplicity and Elegance

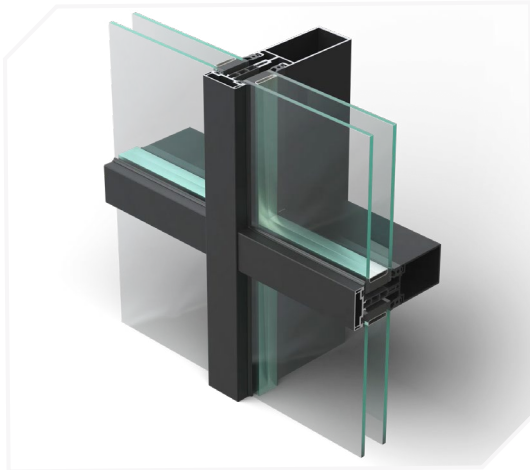
The redeveloped building has achieved a BREEAM "Excellent" rating, largely through the architect's simple but elegant cross-ventilation to cool the inner spaces. Both the metal grillage and monumental external fins serve to shade what is otherwise a Novastruct glazed wall. Its complexity lies in the "scale of investment and in dealing with an existing building that is pivotal to the university's 15,000 students and needed to remain in use during construction.

The Novastruct systems were installed over 15 months by a team of up to six from approved specialist sub-contractor/dealer Leay for main contractor Kier Construction.

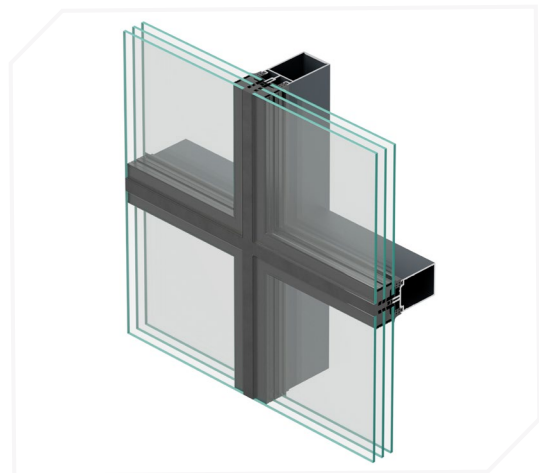
Leay's business development manager Mike Watts said: "Hinged mesh panels were hung from the Novastruct curtain wall in front of the opening events at varying heights to mimic the effect of icicles hanging from the roof level. The original design was to have these fixed but for cleaning strategies these had to be designed hinged to access the screen behind."



Product Specification Highlights



FSX 100 50mm Curtain Wall System



FSX 100 SSG Curtain Wall System

Novastruct UK

Astmoor Road
Astmoor Industrial Estate
Runcorn, Cheshire
WA7 1QQ
United Kingdom

Tel.: + 44 (0)1928 502500
Mail: Sales.UK@novastructeurope.com

www.novastructeurope.co.uk

**Shape
your vision**

**nova
struct®**