

Case Study

St Andrew Square, Edinburgh

Commercial



TK·maxx

Shape
your vision



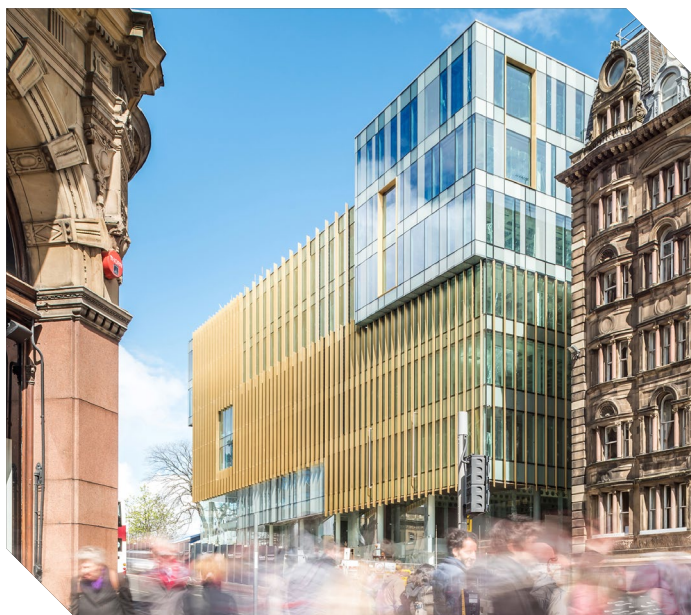
TK·maxx

Meeting Diverse Needs

Architectural aluminium glazing systems by Novastruct were specified for St Andrew Square, a landmark office building in the Edinburgh New Town Conservation Area, on a prominent corner of the sensitive World Heritage Site, due to their ability to meet a diverse range of requirements.

CDA (Comprehensive Design Architects) in conjunction with Hoskins Architects designed the redevelopment of 3 to 8 St Andrew Square.

The Novastruct FSX 110 capped and FSX 110 SSG (Structurally Silicone Glazed) curtain walling with a 65mm sightline and a bespoke 80mm wide system, complemented by DSX 190 TB heavy-duty commercial entrance doors, have been used on the offices on the second to sixth floors of number 6 and on some elements of the eight retail/restaurant units on the ground, first and basement floors of numbers 3 to 8.



“A landmark office building”



The development comprises 112,000ft² of Category A office space, arranged around a full-height atrium, with roof terraces at the fourth and sixth floors, ground floor reception and double-height entrance on St Andrew Square, parking/bike storage at basement level and welfare facilities at lower ground floor.

Building: 3-8 St Andrew Square

Location: Edinburgh

Architect: CDA (Comprehensive Design Architects) /
Hoskins Architects

Main Contractor: Bowmer & Kirkland

A Sustainable Future

Formerly the headquarters of the Scottish Provident Institution, the site had been developed in piecemeal fashion over the years, culminating in a series of interlinked buildings that were no longer fit for purpose. The poor-quality office space, in a prime city centre location, had lain empty for 12 years.

The key aim was to create a sustainable future for the site which had been severely compromised prior to the redevelopment. The brief recognised the importance for the elevations to be of the highest architectural quality, to complement and stand alongside adjacent buildings surrounding the Square and beyond and to create economically-viable, high-quality Grade A office space.

The building takes advantage of natural daylight and the spectacular views to the Castle, over St Andrew Square and to the Forth beyond by framing the views rather than creating vast expanses of glazing. Bronze feature picture windows and the Novastruct curtain walling mullions contrast visually with the background and frame the stunning views.

CDA and Gareth Hoskins Architects addressed critical issues such as live load movement and deflection, resulting in the bespoke 80mm Novastruct system.

After a two-year build by main contractor Bowmer & Kirkland, the site was transformed, with the nine-storey building clad in stone and glass with bronze feature picture windows and bespoke Aurubis “bronze” metal fins attached to the Novastruct curtain walling.

CDA project director Gareth Thompson said: “The project required different types of curtain walling, capped and SSG, not to mention the bespoke fin caps. The adaptability of Novastruct’s systems played a critical part in achieving the design and successfully resolving the complexities of the different types of curtain walling.”



Ever-Changing Appearance

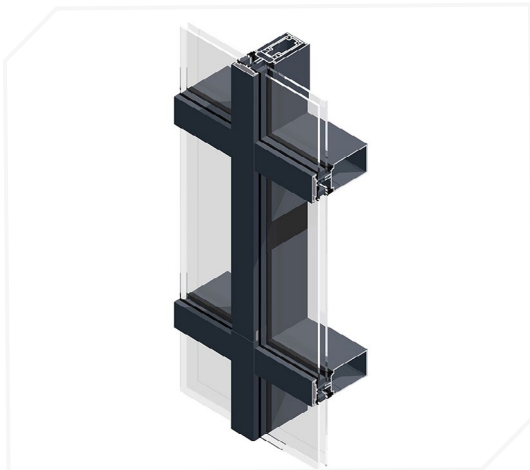
The bespoke metal fins attached to the Novastruct curtain walling were fabricated from a proprietary aluminium bronze flat sheet, Aurubis Nordic Royal, an alloy of copper with aluminium and zinc, with a rich golden through-colour.

When viewed from straight-on the fins are almost invisible, allowing uninterrupted views in and out. When viewed from an increasing angle the visibility progressively closes up until completely blocked by the fins and the elevations appear solid.

The appearance of the building continuously changes as you walk around it and will continue to do so with time as the fins develop a rich patina.



Product Specification Highlights



FSX 110 65mm Curtain Wall System



FSX 110 SSG Curtain Wall System



DSX 190 TB Door

Novastruct UK

Astmoor Road
Astmoor Industrial Estate
Runcorn, Cheshire
WA7 1QQ
United Kingdom

Tel.: + 44 (0)1928 502500
Mail: Sales.UK@novastructeurope.com

www.novastructeurope.co.uk