

Case Study

One Crown Place, London

Commercial



Shape
your vision

An Ambitious Design

Located at the intersection of the London Borough of Hackney and the City of London, One Crown Place is a diverse mixed-use development with a unique blend of old and new elements to form an entire urban block.

It comprises two impressive new towers, office and retail spaces, a clubhouse, restaurant, streetside shops and cafes, and a boutique hotel that retains the shell of some Georgian townhouses designed by George Dance the Younger. The wider project encompasses the retrofitting of the 54 Wilson Street office block, originally built in the 1970's.

Special screen-printed glass panels on interior facades respond to the tradition of craft in Hackney and a central courtyard provides a focal point for this ambitious development, as well as providing access to residences, plus external dining space and a recreation area for office workers and the public alike.



“A unique blend of new and old elements”



Designed by Kohn Pedersen Fox Associates, One Crown Place was constructed by MACE with sustainability as a priority and has achieved a BREEAM Excellent rating, as well as attaining an EPC B energy performance certificate.

Building: One Crown Place
Location: London
Architect: Kohn Pederson Fox Associated
Main Contractor: MACE

Optimal Synergies

The eye-catching and intricate ground floor facade at One Crown Place is a superb scene-setter for its many upper levels, creating an inviting interface at street level.

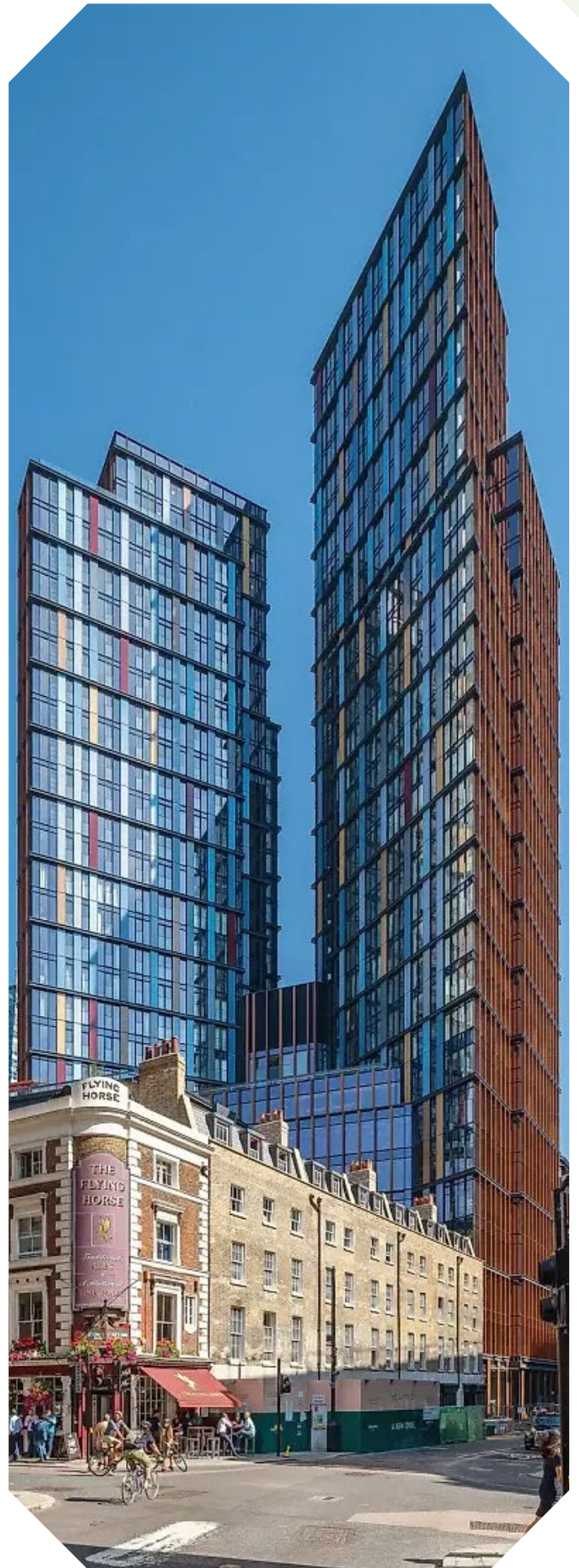
It is a symphony of elegant solutions working together in perfect harmony to create that vital first impression as building occupants and the public approach the development.

Novastruct engaged with the design and build teams to create a statement multi-element ground floor facade.

The backbone of each element is the FSX 110 curtain wall, working in tandem with a steel support system to efficiently transfer loads, with the following key features:

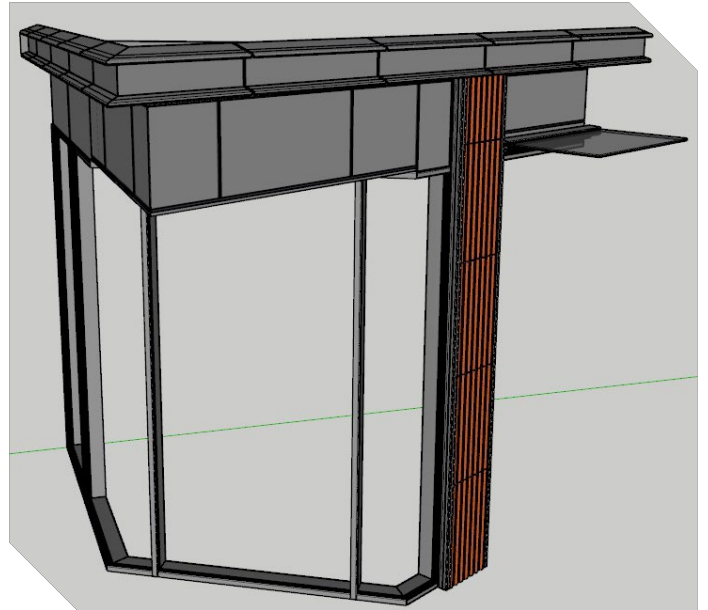
- 6-metre vertical spans supporting 750kg double-glazed panels
- Terracotta rainscreen infills
- Cantilevered glass canopies
- Integrated and hidden gutter system
- Feature band
- Continuous louvres

Precise geometry and uniformity in the mullions allowed the façade to seamlessly interface with the existing townhouses, helping to bridge the gap between Georgian heritage and modern construction.



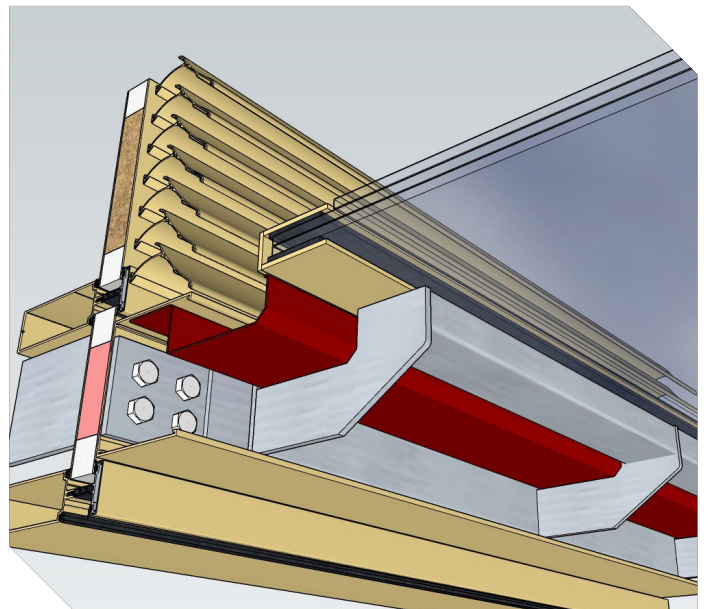
Facetted Corner Detail

The facetted corner detail demonstrates many elements of the intricate ground floor facade design at One Crown Place, indicating the cantilevered corner FSX 110 curtain wall with terracott infill, special extruded caps and a glass canopy.



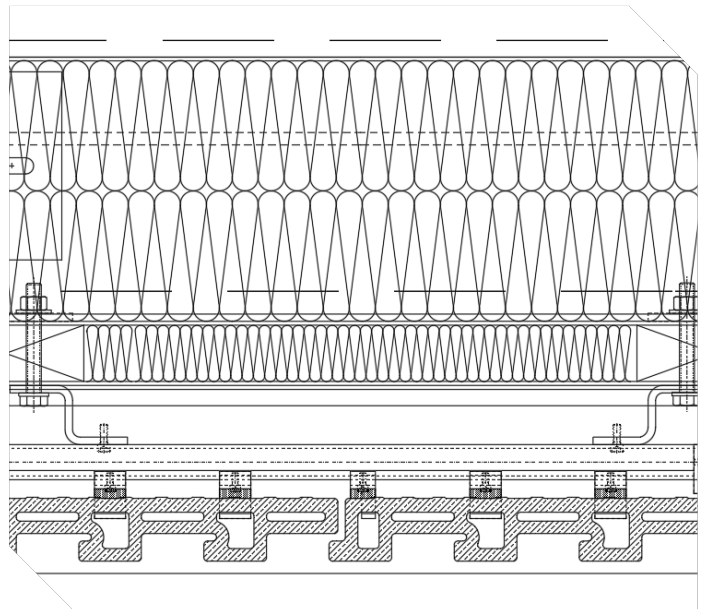
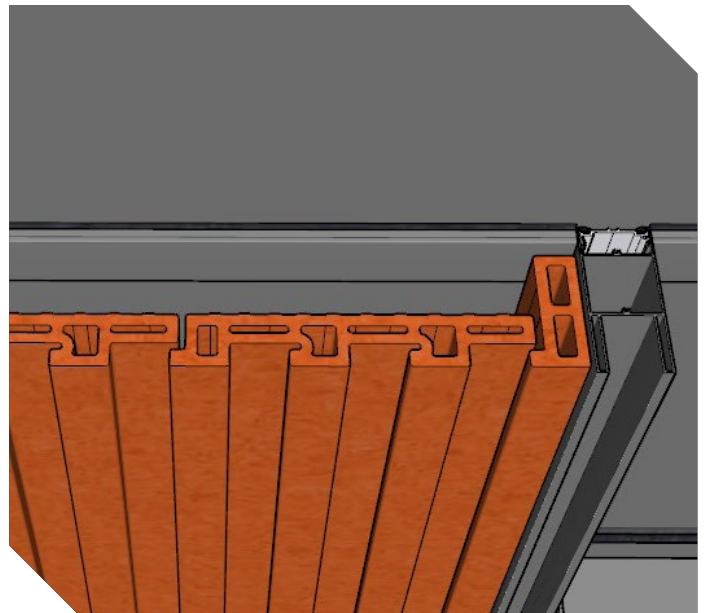
Middle Canopy Detail

This middle canopy detail exemplifies the highly-integrated approach, supporting the attractive cantilevered glass overhang, the hidden gutter system and louvres.



Rainscreen Infills

Here we can see how the terracotta rainscreen infills have been seamlessly incorporated into the FSX 110 curtain wall design.



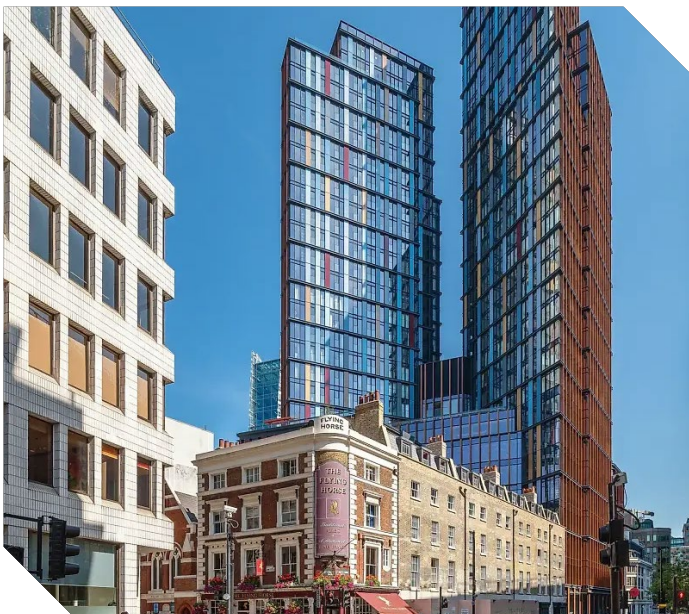
A Facade Greater than the Sum of the Parts

With unrivalled experience across the globe, Novastruct is able to respond to the ambitions and aspirations of designers, matching that flair by offering practical solutions that ultimately create facades that are far greater than the sum of their components.

Nowhere is this better exemplified than at One Crown Place, where Novastruct has been able to offer seamless integration of its systems into the wider ground floor facade design in a way that not only significantly elevates aesthetics but which also promotes optimal efficiencies in terms of the effective function of the facade, particularly in the areas of maximising natural lighting and rainwater management and, more generally, high levels of protection against the external elements.



“Novastruct has been able to offer seamless integration of its systems”



Looking for a bespoke solution for your next project? Our Architectural Advisor Team members are ready to assist you, drawing on a wealth of global experience.

Product Specification Highlights



FSX 110 Curtain Wall System

Novastruct UK

Astmoor Road
Astmoor Industrial Estate
Runcorn, Cheshire
WA7 1QQ
United Kingdom

Tel.: + 44 (0)1928 502500
Mail: Sales.UK@novastructeurope.com

www.novastructeurope.co.uk

Shape
your vision

 nova
struct®