

# Case Study

## Birmingham Symphony Hall

Arts & Leisure

Shape  
your vision

# Making an Entrance

Birmingham Symphony Hall is widely acknowledged as one of the world's finest concert halls.

A trend towards the development of foyers to become a performing arts space to host events and daytime activities resulted in a four-storey foyer extension project at the Birmingham Symphony Hall.

The project was devised to create a dedicated entrance from the recently redeveloped Centenary Square and a major functional transformation to provide improved bar, catering and hospitality spaces. general use of the facility.



“One of the world’s finest concert halls”



A key goal was to help dissolve the formality of the building and increase daytime activities and a general use of the facility.

Building: Birmingham Symphony Hall

Location: Birmingham

Architect: Page\Park

Main Contractor: Galliford Try

# A Sense of Occasion

The gently curved entrance to Birmingham Symphony Hall in Centenary Square really adds to the sense of occasion as visitors approach the building.

Perhaps the most striking element is the clever use of a glazed façade that further enhances the interaction between the interior and exterior, especially at night when foyer activities can clearly be seen from the Square.

The entrance features two Novastruct architectural glazing solutions - the FSX 110 65mm Curtain Wall System that provides flexibility of design, outstanding performance and ease of installation. Also, the FSX 110 SSG Structurally Silicone Glazed Curtain Wall System that gives an aesthetically pleasing appearance with flush glazing to the exterior.

The FSX 110 curtain wall featured bespoke designed fins on sections of the fascia to provide added aesthetic enhancement and visual interest.



# A Strong Architectural Statement

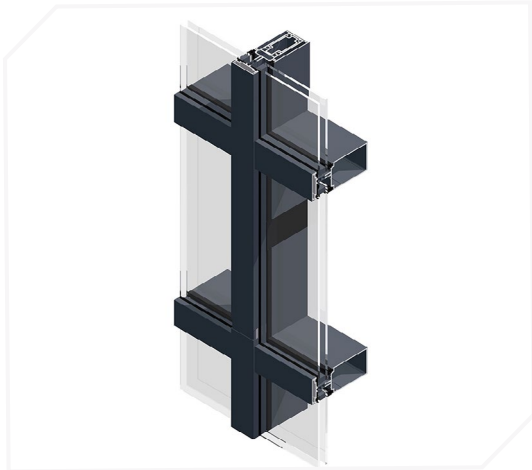
Designed by Page\Park and built by Galliford Try, the transformed Symphony Hall foyer is now helping to grow and diversify the audience and use of the building with a goal of turning curious visitors into lifelong supporters.

Greater use of the foyer as a performance and event space is increasing the programme of events at the venue, making the foyer areas a destination in their own right.

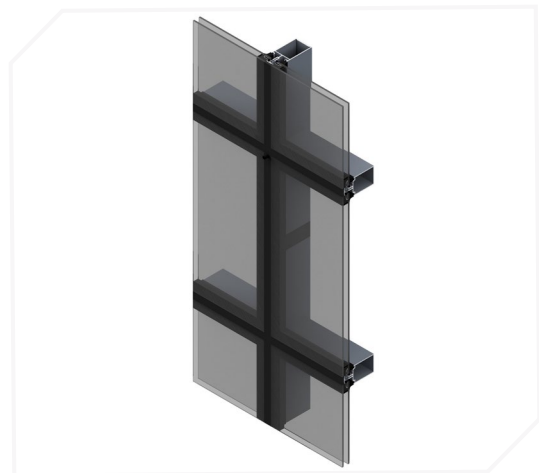
In terms of the surrounding environment, the extension makes a strong architectural statement that greatly enhances the Centenary Square regeneration.



# Product Specification Highlights



**FSX 110 65mm Curtain Wall System**



**FSX 110 SSG Curtain Wall System**

**Novastruct UK**

Astmoor Road  
Astmoor Industrial Estate  
Runcorn, Cheshire  
WA7 1QQ  
United Kingdom

Tel.: + 44 (0)1928 502500  
Mail: Sales.UK@novastructeurope.com

[www.novastructeurope.co.uk](http://www.novastructeurope.co.uk)

Shape  
your vision

 **nova  
struct**